

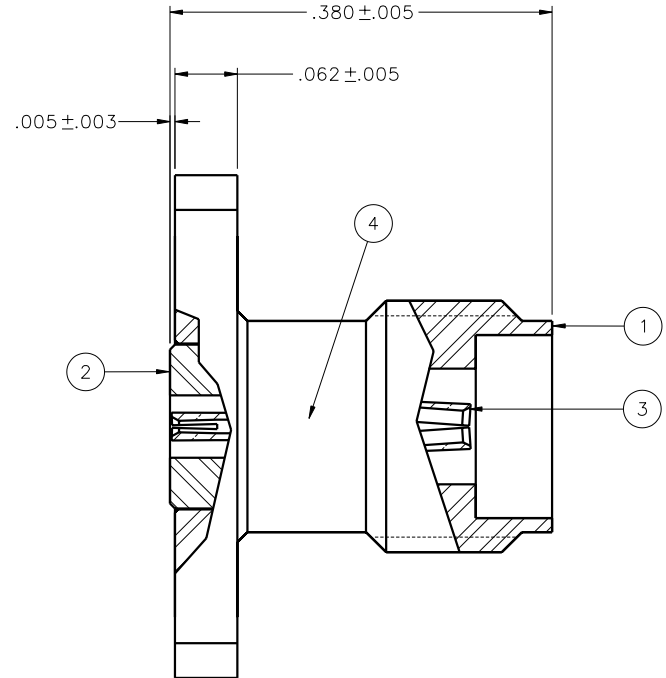
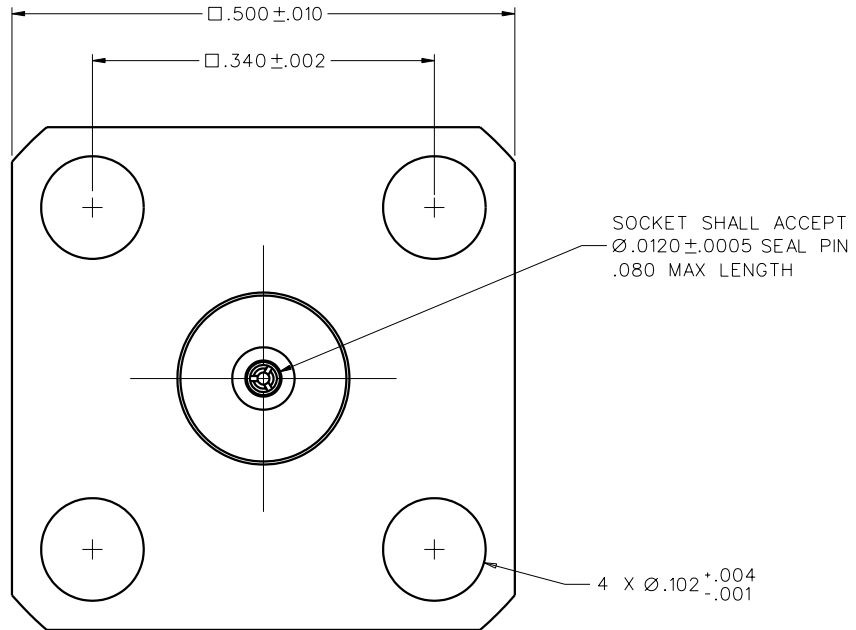
PART NUMBER	ITEM ① BODY	ITEM ② INSERT	ITEM ③ CONTACT	ITEM ④ SUPPORT BEAD
145-0701-611	STAINLESS STEEL GOLD PL .00005 MIN OVER NICKEL PL .00005 MIN	STAINLESS STEEL GOLD PL .00005 MIN OVER NICKEL PL .00005 MIN	BERYLLIUM COPPER GOLD PL .00005 MIN OVER NICKEL PL .00005 MIN OVER COPPER PL .00005 MIN	PPE RESIN
145-0701-612	STAINLESS STEEL PASSIVATE	STAINLESS STEEL PASSIVATE	BERYLLIUM COPPER GOLD PL .00005 MIN OVER NICKEL PL .00005 MIN OVER COPPER PL .00005 MIN	PPE RESIN

DRAWING NO.
C - 145-0701-611/620

0 REVISIONS

ENGINEERING RELEASE

1 10-14-03 R | T | R | H | K | B | ECN 49017



NOTES:

1. SPECIFICATIONS:
- IMPEDANCE: 50 OHMS
 - FREQUENCY RANGE: 0-40.0 GHz
 - VSWR: DEPENDANT UPON APPLICATION, TYPICALLY 1.22 MAX (F IN GHz)
 - WORKING VOLTAGE: 335 VRMS MAX AT SEA LEVEL
 - DIELECTRIC WITHSTANDING VOLTAGE: 1000 VRMS MIN AT SEA LEVEL
 - INSULATION RESISTANCE: 5000 MEGOHM MIN
 - CONTACT RESISTANCE:
 - CENTER CONTACT - INITIAL 6.0 MILLIOHM MAX, AFTER ENVIRONMENTAL 8.0 MILLIOHM MAX
 - OUTER CONDUCTOR - INITIAL 2.0 MILLIOHM MAX AFTER ENVIRONMENTAL NOT APPLICABLE
 - BRAID TO BODY - NOT APPLICABLE
 - CORONA LEVEL: 250 VOLTS MIN AT 70,000 FEET
 - INSERTION LOSS: DEPENDANT UPON APPLICATION, TYPICALLY < .06√F (F IN GHz)
 - RF LEAKAGE: -90 dB MIN AT 2.5 GHz
 - RF HIGH POTENTIAL WITHSTANDING VOLTAGE: 670 VRMS MIN AT 4 AND 7 MHz

- MECHANICAL:
- ENGAGE/DISENGAGE TORQUE: 2 INCH-POUNDS MAX
 - MATING TORQUE: 7-10 INCH POUNDS
 - COUPLING PROOF TORQUE: NOT APPLICABLE
 - COUPLING NUT RETENTION: NOT APPLICABLE
 - CONTACT RETENTION: 6 LBS MIN AXIAL FORCE
 - CABLE ACCEPTABILITY: NOT APPLICABLE
 - CABLE HEX CRIMP SIZE: NOT APPLICABLE
 - CABLE RETENTION: NOT APPLICABLE
 - DURABILITY: 500 CYCLES MIN

- ENVIRONMENTAL:
- (MEETS OR EXCEEDS THE APPLICABLE PARAGRAPH OF MIL-C-39012)
- THERMAL SHOCK: MIL-STD-202, METHOD 107, CONDITION B
 - OPERATING TEMPERATURE: -65 DEG C TO 165 DEG C
 - CORROSION: MIL-STD-202, METHOD 101, CONDITION B
 - SHOCK: MIL-STD-202, METHOD 213, CONDITION I
 - VIBRATION: MIL-STD-202, METHOD 204, CONDITION D
 - MOISTURE RESISTANCE: MIL-STD-202, METHOD 106

THIS DRAWING TO BE INTERPRETED PER ANSYI 14.5M - 1982

"µ STATION"

COMPANY CONFIDENTIAL

TOLERANCE UNLESS OTHERWISE SPECIFIED		DRAWN BY RSH	DATE 1-31-03	299 Johnson Ave. P.O. Box 1732 Waseca, MN 56093-0832
DECIMALS	mm	CHECKED BY	DATE	
.XX	—	APPROVED BY T.A.Kari	DATE 10-14-03	TITLE SMK (2.92mm) JACK ASSEMBLY, 4 HOLE FLANGE MOUNT, FIELD REPLACEABLE, Ø.012 SEAL PIN
.XXX ± .003	—	APPROVED BY	DATE	CODE NO.
MATL	—	RELEASE DATE	10-14-03	DRAWING NO. C - 145-0701-611/620
FINISH	—	SCALE	10:1	U/M INCH SHEET 2 OF 2